



# Smart 44

2x7KW, 2x11KW, 2x22KW Mode 3 AC Charger



# CITA Smart 44 (Dual 22kw)

Available in 2X7KW, 2X11KW, 2X22KW, Mode 3 AC Charger, IP65 Rated

The CITA Smart 44 is a 44kW AC commercial EV charger engineered for high-demand environments, including commercial fleets, public transport depots, and workplace charging facilities. Built to industrial standards, it delivers reliable dual-vehicle charging with independent, fully isolated control and power circuits. The unit features a MID-certified energy meter for accurate billing, built-in RCD protection for safety, and enhanced anti-jamming capabilities to ensure stable operation.

Designed for scalability, multiple Smart 44 chargers can be networked at a single site with just one internet connection, making it an ideal solution for public or commercial infrastructure projects. With an operating range from -30°C to +55°C, the Smart 44 is robust enough for extreme climates, while its 3-year manufacturer's warranty provides long-term peace of mind. Combining high power, precision, and resilience, the CITA Smart 44 is a dependable choice for organisations looking to expand their EV charging

**Available in:** Galvanized steel, Stainless steel (Optional)



Upto 2X22kW Power Range, Mode 3



WiFi/Ethernet Connection



Protection IP65 & IK10



Type-2 Socket



Ocpp 1.6



Easy Installation and Maintenance



RFID Card and Mobile Payments



3- year warranty



# Electrical Specifications

## AC Nominal Input

Phases/Lines	3 phase + neutral+ PE (Optional: 1 phase + neutral+ PE)
Input Voltage	400V±10%
Frequency	50/60Hz

## AC Nominal Output

Output Voltage	400V±10%
Output Power	2x22kW programmable
Output Current	2x32A programmable

# General Specifications

## Hardware Configuration

Housing Material	Galvanized steel, Stainless steel (Optional)
Display Panel	Temper glass
Installation Method	Ground Mounted (EV Block/NAL Socket Optional)
Charging Outlet	2 X Type 2 charging socket with locking and shutter
Cable Length	No cable
LED Indicator	Green/Yellow/Red colour notification on CITA logo Yes,
LCD Screen	7 in LCD Display For Monitoring
RFID Function	Yes, Mi-fare Classic 1K
MCB	40A
Energy Meter	MID certified
RCD	30mA AC+ 6mA DC

## Environmental Index

Operating Temperature	-30°C - +55°C
Working Humidity	5%~95% without condensation
Working Altitude	<2000M
Protection Grade	IP65, IK10
Application Site	Indoor/Outdoor
Cooling Method	Passive cooling

## Package Information

Product Dimension	290mm x 290mm x 1258mm
Package Dimension	480mm X 480mm X 1400mm
Net Weight	32.5KG
Gross Weight	43.5KG
External Packing	Wooden case

# General Specifications

## Protection

Multiple Protection

Over/under-voltage protection, overload protection, short-circuit protection, current leakage protection, grounding protection, surge protection, and over/under-temperature protection.

Safety Standard

IEC 61851-1:2017, IEC 61851-21-1:2018, IEC 62196-2:2016

Warranty

3 years

## Communication

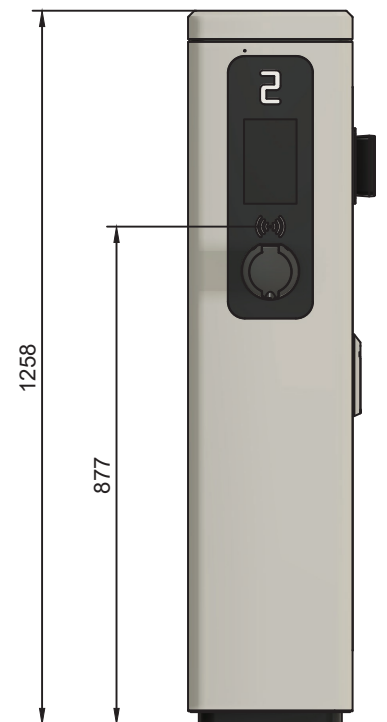
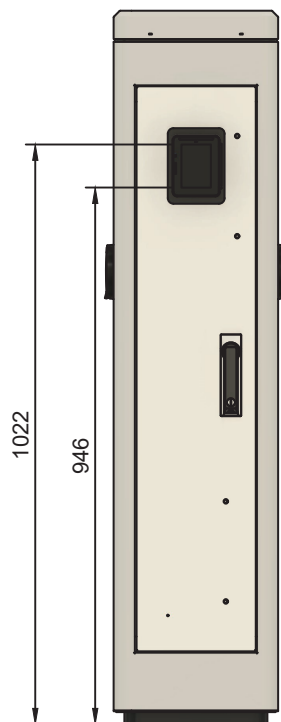
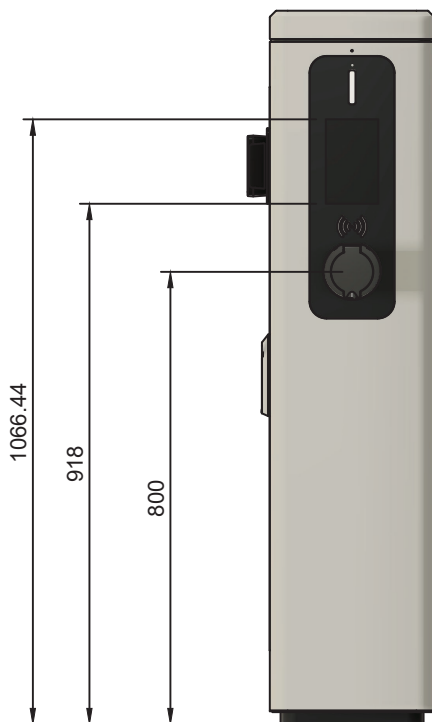
Network Gateway

Ethernet/WiFi/4G communication

Communication Protocol

OCPP 1.6, OCPP 2.0(Upgradeable)

## Dimension



## United Kingdom (HQ)

52 Deerdykes View, Westfield Park,  
Cumbernauld, Glasgow, G68 9HN,  
United Kingdom

Phone : +44 800 368 6362

Support (Hotline) : +44 800 368 6362

## United Arab Emirates

Unit 2106, Al Thanyah Fifth, HDS Tower,  
Cluster F, Jumeirah Lakes Towers,  
P.O. Box 191946, Dubai, UAE

Phone : +971 4 5579828



Support Email : supportuk@citaevcharger.co.uk

Disclaimer: Information has been carefully checked and is believed to be accurate; however, no responsibility is assumed for any inaccuracies. As part of our ongoing product development, specifications, colours, and details of our products, including those mentioned in this manual, are subject to change without prior notice.

For further inquiries, please contact us at supportuk@citaevcharger.co.uk or call +44 800 368 6362.

All rights reserved © 2025 CITA Smart Solutions

[www.citaevcharger.co.uk](http://www.citaevcharger.co.uk)

   
Smart  
Charger

